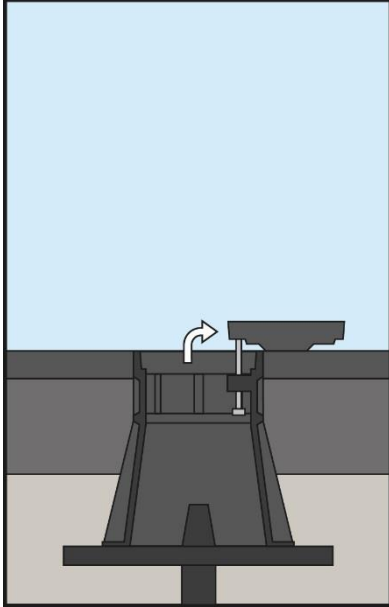




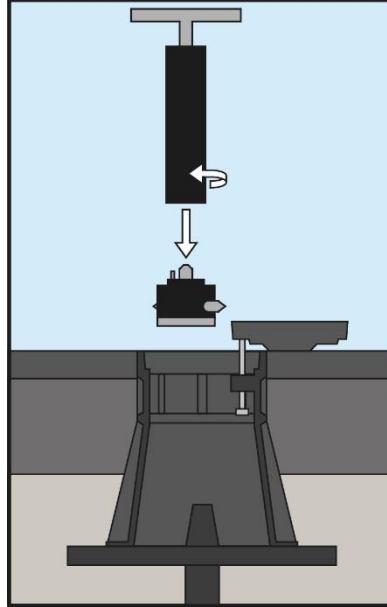
Installation manual

Locking system for surface boxes

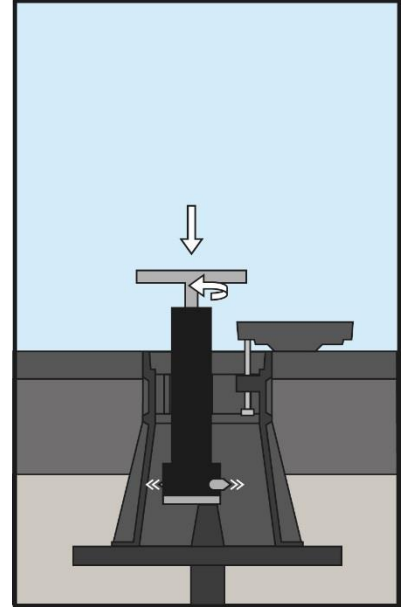
INSTALLATION



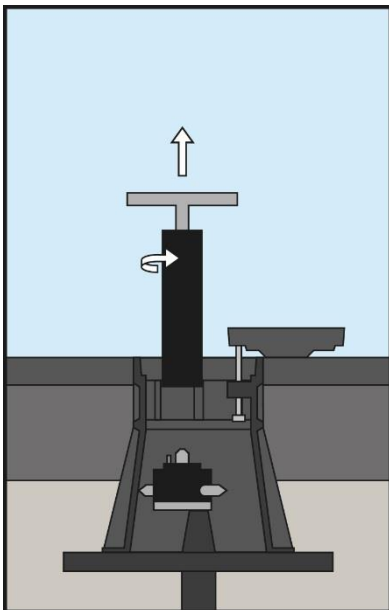
1. Open the lid of the surface box.



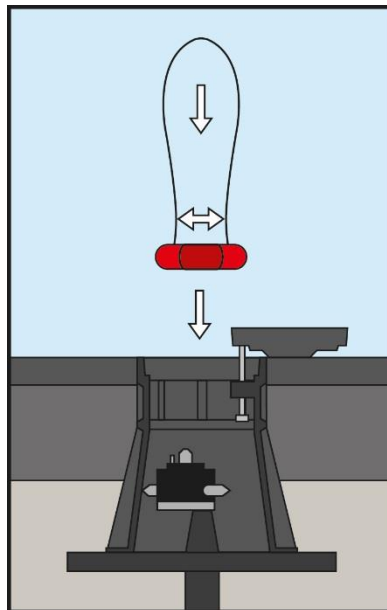
2. Secure the locking key onto the lock.



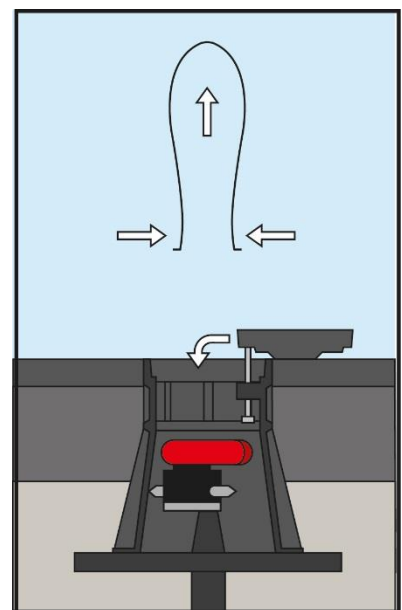
3. Install the lock into the surface box; hold the locking key and turn the handle.



4. Unscrew and remove the locking key.



5. Insert the clasp into the red locking disk and place the disk into the surface box.



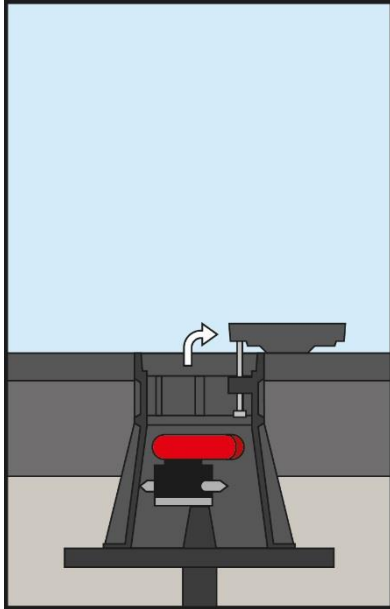
6. Remove the clasp after securing the locking disk on top of the lock. Close the lid of the surface box.



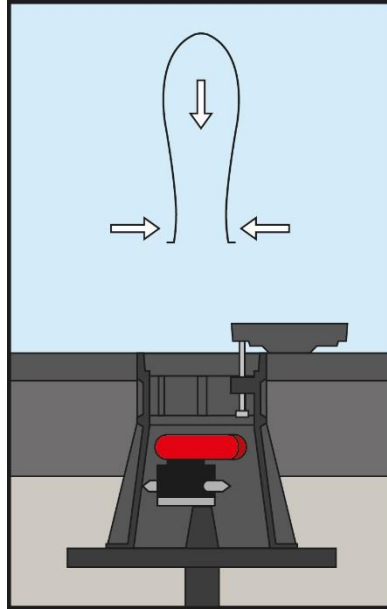
Removal manual

Locking system for surface boxes

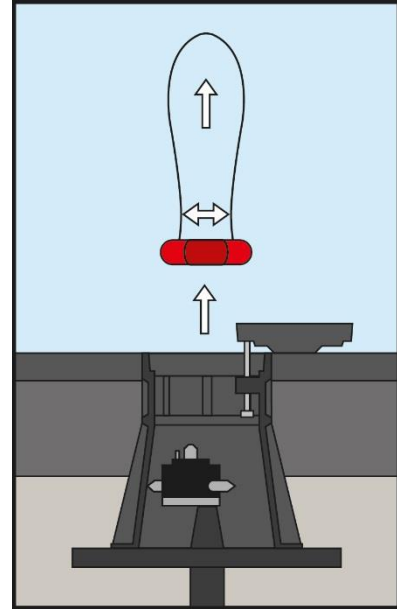
REMOVAL



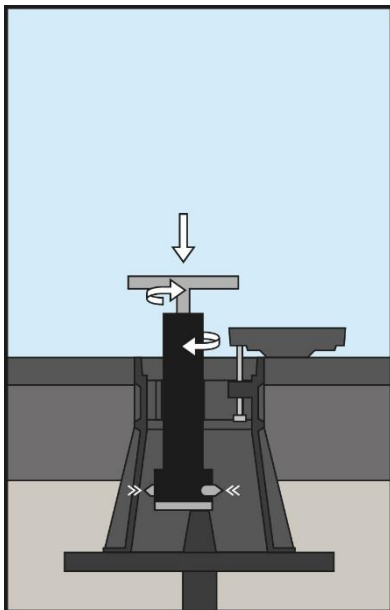
1. Open the lid of the surface box.



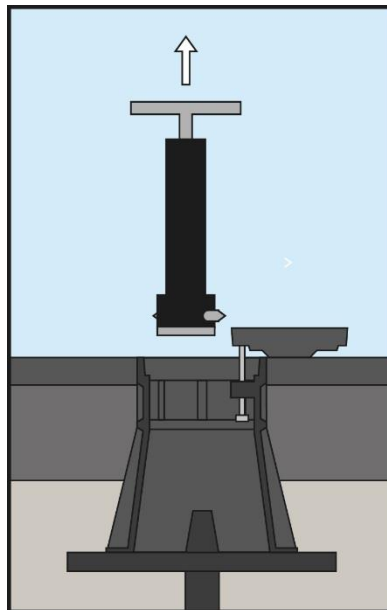
2. Bring the clasp into the surface box.



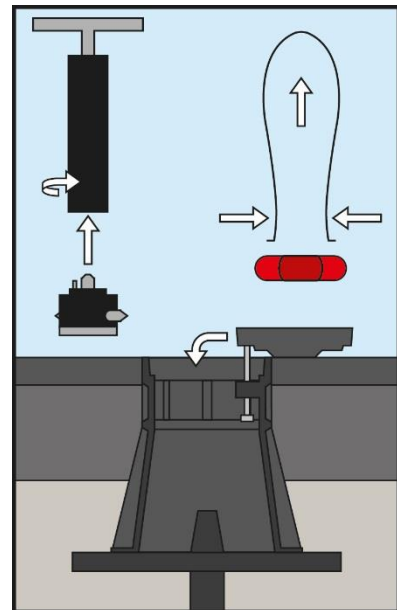
3. Insert the clasp into the red locking disk and remove the disk from the surface box.



4. Place the locking key into the surface box, secure the lock and turn the handle.



5. Remove the lock from the surface box.



6. Close the lid of the surface box. Unscrew and remove the locking key from the lock and separate the clasp from the locking disk.